



Beamz Installation Guide Professional Edition

iOS Redeem Code*:

MAC Redeem Code*:

PC Studio Software Activation**:

** Codes are for one-time use redemption and thereafter correlated to a specific iOS App Store Apple ID or an MAC App Store Apple ID.*

*** Optional software for PC users to edit and/or create Beamz interactive songs.*

1. Check System Requirements

PC Users: The Beamz controller connects via USB to computers running Windows 7/8; when installing Beamz software on a computer the user must have “full” administrative rights.

Attention IT Managers For PC Computers:

Reference www.thebeamz.com/setup/bpe/it for details regarding required permissions and settings when setting up computers for use by non-admin users.

iOS Users: The Beamz controller communicates to following compatible Apple devices running iOS 6.0 or later via Bluetooth – iPad 3rd generation or later, all iPad Mini models, iPhone 4S or later and the iPod Touch 5th generation or later.

MAC Users: The Beamz controller connects via USB to computers running OS 10.8x or later.

2. Hardware Setup – MIDI/HID mode switch

The MIDI/HID switch on the back side of the Beamz controller must be set to HID mode to communicate with the Beamz Player or Beamz Studio application.

For more information about using the MIDI mode with other applications, visit www.thebeamz.com/midi.



3. Install the Beamz Software

Important Note: Complete the software installation BEFORE connecting the Beamz controller hardware and installing songs.

PC Users: Go to www.thebeamz.com/setup/bpe to download the Beamz Player software. After the download is complete, run the Beamz Player installation file.

iOS Users: Go to the App Store, enter Beamz into the search bar to locate the free Beamz application, then install. When the application installation is complete, there will be 17 interactive songs available in the master song list (*access songs via PLAYLISTS button, select Master*).

MAC Users: Go to the App Store, enter Beamz into the search bar to locate the free Beamz application, then install. When the application installation is complete, there will be 17 interactive songs available in the master song list (*access songs via footer menu, Playlists icon*).

4. Setup the Beamz controller on a flat, stable surface and connect the USB cable.

PC/MAC Users: Insert the large end (*USB A connector*) of the provided USB cable directly into the computer USB port and the other smaller end of the cable into the mini USB port on the back of the Beamz controller.

iOS Users: Insert the provided USB cable into the USB mini port on the rear side of the Beamz controller and the large end (*USB A connector*) into the USB wall power adapter provided with your Apple device (*you can also use any other 5V output AC to USB wall adapter*).

5. Installing the Beamz Professional Edition Song Collection

PC Users: Go to www.thebeamz.com/setup/bpe to download the song installers. Detailed instructions are included on this web page to complete the PC song installation process.

iOS Users: Open the Beamz application on your Apple device. The Beamz logo on the Beamz controller will flash as the controller establishes a Bluetooth connection with the Apple device.

Important Note: The Beamz controller will establish an active Bluetooth application to the closest proximity Apple device running the Beamz application and may only communicate to once compatible device at a time. To switch devices, shut down the Beamz application in your task bar and place the desired connected device in close proximity next to the Beamz controller, then open the Beamz application.

After the application displays “Beamz Device Connected” in the upper left hand corner, now install the EHC songs. Touch the **SETTINGS** button, then select **Redeem Code** and enter the iOS code included on the first page of this installation guide.

After the code is accepted touch the **PLAYLISTS** button, then touch the **Beamz Store** icon. Scroll to locate the **! - EHC Songs** and touch the **DOWNLOAD** button for that item in the **Beamz Store**. A confirmation box will notify you when the download is complete.

Important Note: Download and installation time for this song package will vary. Given the download size, it may take up to 30 minutes for the additional songs to be available for play in the application. It is normal to be prompted multiple times by the Apple App Store to verify confirmation to download this song package.

MAC users: Open the Beamz application. After the application displays “Beamz Device Connected” in the upper left hand corner, now install the EHC songs. Click on the **Beamz** menu in the upper left hand corner of the menu bar, then select **Preferences** and click the **Hardware Code** button. When prompted, enter the MAC code included on the first page of this installation guide.

After the code is accepted click on the **arrow** button in the lower right corner of the application window and select **Playlists**. Then click on the **shopping bag** icon to go to the Beamz Store. Scroll to locate the **! - EHC Songs** and touch the **DOWNLOAD** button for that item in the Beamz Store. A confirmation box will notify you when the download is complete

6. Play the Beamz!

All Users: Click or touch the **PLAYLISTS** button and choose a song from the Master Song List.

Important Note: The Beamz logo lights up red when the controller is connected to a power source; the laser beams “light up” after the Beamz application is open and a song is loaded and ready for play. The Beamz controller must be in the HID mode when using with the Beamz application.

7. Download the Professional Sample Activities

All Users: Go to www.thebeamz.com/activityguide to download the FREE **Beamz Professional Sample Activities**. This activity collection provides educators, therapists and professionals structured activities for using Beamz with students, patients and clients for learning, skill development and FUN.

The sample activities include:

Activities for All Settings – general use with individuals across all ages and abilities.

Lesson Plans for Life Skills Classrooms – teacher and professional use for serving students with disabilities; excerpt from Beamz' Lesson Plans for Life Skills Classroom curriculum.

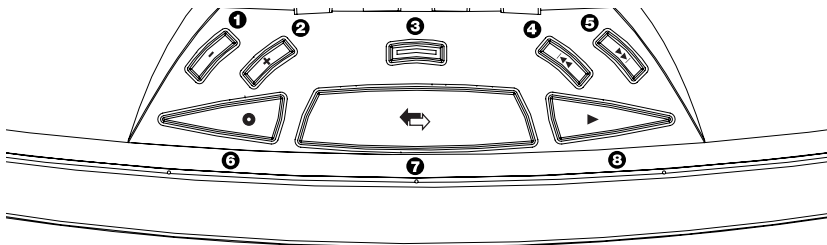
Visit www.thebeamz.com/lesson-plans-life-skills for information about the complete curriculum.

Lekotek's Home and Family Games – games for fun home use for families to play together while building skills and enjoying making music.

Beamz Therapy Guide – sample protocols for therapists' use with broad client populations from pediatrics to geriatrics to accomplish a wide range of cognitive, physical and social/emotional goals.

Visit www.thebeamz.com/btg-overview for information about the complete guide.

Functions and Modes



1. Volume down
2. Volume up
3. Vocals mute (*button will light up when this is an option*)
4. Advance to previous song in playlist
5. Advance to next song in playlist
6. Start/stop recording
7. Swap sounds (*go to another page of instruments*)
8. Start/stop rhythm (*play background track*)

8. Troubleshooting

Laser Beams Not On

All Users: Make sure the controller is in the HID mode. Unplug the USB cable from the Beamz controller, move the switch to MIDI, then back to HID and reconnect.

PC Users: Go to device manager and verify that **Beamz Interactive USB Controller** is properly working within the **Universal Serial Bus controllers** device tree. Visit www.thebeamz.com/setup/bpe/it for more information about checking driver status and instructions for driver installation/reinstallation.

8. Troubleshooting (*continued*)

Laser Beams Are On - Not Playing

All Users: Make sure the controller is in the HID mode. Unplug the USB cable from the Beamz controller, move the switch to MIDI, then back to HID and reconnect.

The red backlit Beamz logo should flicker as you touch a laser beam. If it doesn't then there could be an external light source (e.g. *bright direct sunlight, stage light, fluorescent lighting*) "flooding" the laser sensor(s) in the outer arms of the controller. Slight adjustments, usually just moving the controller an inch into another direction, will resolve this issue. If playing outside for extended periods of time, consider playing under some cover from the sun.

Laser Beams Not Playing / Laser Beams Playing Erratically

All Users: Make sure the controller is in the HID mode. Unplug the USB cable from the Beamz controller, move the switch to MIDI, then back to HID and reconnect.

Check the alignment of the four laser beams. Looking from the center base outward to the arms visually inspect if the laser is lined up close to the center of the sensor (*it doesn't have to be dead center to function properly*). If one of the laser beams is far out of alignment, that laser and others may not respond to touch consistently. Go to **www.thebeamz.com/setup/bpe/it** for notes regarding how to realign laser beams.

MAC Users: The Beamz controller may not enumerate properly if the Beamz controller was connected to the MAC computer before system boot up from an unpowered state. Disconnect the Beamz, restart the computer, then reconnect the Beamz after the system has completed the boot up sequence and the computer is ready for user interaction.

Optional - Beamz Studio PC Software

Beamz Studio is an interactive music editing and creation software. For more information regarding this software, visit www.thebeamz.com/studio-tutorial.

Installation:

1. Go to www.thebeamz.com/studio-software and download the Beamz Studio software. After the download is complete, execute the Beamz Studio software installation file.
2. Open the Beamz Studio software from your desktop, then enter the activation code included on the first page of this installation guide.

Important Notes:

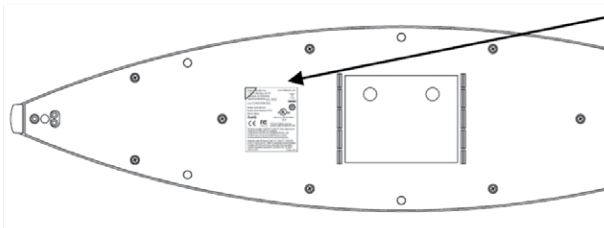
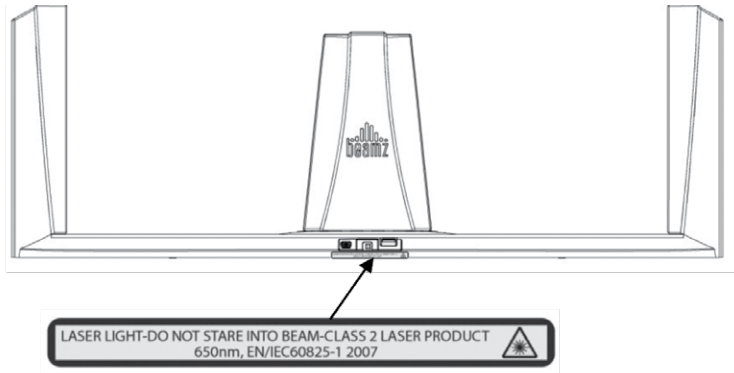
- Beamz Studio is a PC based application; interactive songs created with this application may only be used in the Beamz music libraries on PC computers.
- Visit www.thebeamz.com/studio-ios-mac for information regarding how to “publish” interactive songs made with the Beamz Studio PC software for use with the Beamz Player application on MAC computers and/or iOS devices.
- Beamz Studio and the Beamz Player software may not be used concurrently; close the open Beamz application before opening the other.

Need More Help?

Visit www.thebeamz.com/support for online resources to get you up and running.

Product Warning Labels

10



Beamz Interactive, Inc.
15354 N. 83rd Way, Ste 101
Scottsdale, AZ 85260 USA
Date of manufacture:

www.thebeamz.com

S/N:

Product Name: Beamz®
Product Model Number: C1R42
Made in Taiwan



RoHS



UL US LISTED
MUSICAL INSTRUMENT
3RHE

This Class B digital apparatus
complies with Canadian ICES-003.

This device complies with Part 15 of the FCC Rules. Operation is
subject to the following two conditions:

- (1) this device may not cause harmful interference, and
- (2) this device must accept any interference received,
including interference that may cause undesired operation.

Protected under US Patents 6,960,715, 7,504,577, 7,858,870,
8,178,773 and 8,431,811. Other US and foreign patents pending.
Complies with FDA performance standards for laser products
except for deviations pursuant to Laser Notice No. 50, dated
June 24, 2007.

C1R42-PI-01-RevB

Important Safety Instructions

- Read these instructions.
- Keep these instructions.
- Heed all warnings.
- Follow all instructions.
- Do not use this apparatus near water.
- Do not install near any heat sources such as radiators, heat registers, stoves, or other apparatus (including amplifiers) that produce heat.
- Only use attachments/accessories specified by the manufacturer.
- Refer all servicing to qualified service personnel. Servicing is required when the apparatus has been damaged in any way, such as power – supply cord or plug is damaged, liquid has been spilled or objects have galled into the apparatus, the apparatus has been exposed to rain or moisture, does not operate normally, or has been dropped.

Caution – use of controls or adjustments or performance of procedures other than those specified herein may result in hazardous radiation exposure.

- Service is not allowed by consumer. Unit must be returned to manufacturer for any service or repair.
- No scheduled maintenance necessary to keep this controller in compliance. Unit is not to be opened or modified. In doing so, warranty will be voided.
- This laser product is designated as Class 2 during all procedures and operation.



This Class B digital apparatus complies with Canadian ICES-003. Protected under US Patents 6,960,715, 7,504,577, 7,858,870, 8,178,733 8,835,739, 8,835,740, 8,431,811 and 8,872,014. Other US and foreign patents pending. Complies with FDA performance standards for laser products except for deviations pursuant to Laser Notice No. 50, dated June 24, 2007.

Contact us:

Beamz Interactive, Inc
15354 N. 83rd Way, Suite 101
Scottsdale, Arizona 85260
Telephone: 480.424.2053
www.thebeamz.com
info@thebeamz.com

Operational Accessible Radiation Fields:

Wavelength:	650nm
Laser Power, Peak:	0.8mW
Beam Diameter:	<4mm at aperture
Divergence:	<1.5mrad
Transverse Beam Mode:	TEM00